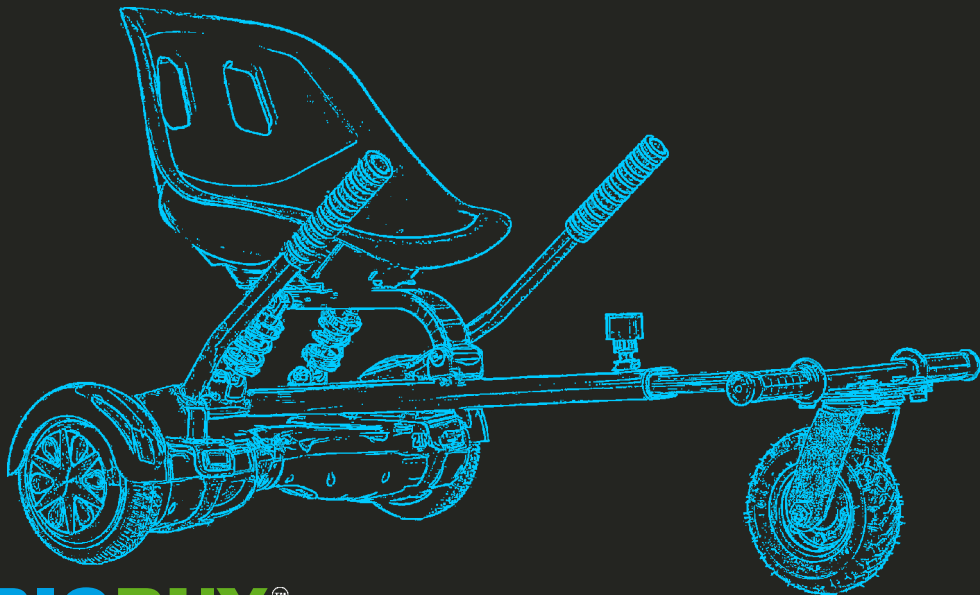


ZIMXTM
HOVERBOARDS
WITH ATTITUDE

HK5
HOVER KART
ATTACHMENT



UKBIGBUYTM.com
Saving you money every day

MOVEMENT
WITH ATTITUDE



Operational Manual : HK5

IMPORTANT: KEEP FOR FUTURE REFERENCE

**Images used in this manual may vary slightly from the product and are for reference purposes only.*

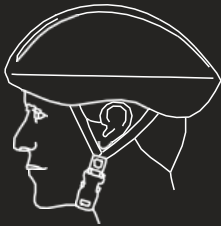


Even if you have ridden a scooter for years, it is important for you and every rider to read this manual before using this product.

 **WARNING**

HELMETS SAVE LIVES!

Always wear a properly fitted helmet that complies with CPSC or CE safety standards when you ride your scooter.



Correct Fitting:
Make sure your helmet covers your forehead.



Incorrect Fitting:
Forehead is exposed and vulnerable to serious injury.

INTRODUCTION

This manual is designed to give you the information you need for the safe operation and maintenance of your new ZIMX HK5 kart. Please read it thoroughly before riding your ZIMX HK5 kart.



WARNING

Make sure you read this complete manual before riding your ZIMX HK5 kart. Failure to do so, or failure to follow its guidelines could lead to serious injury or death.

Section One of this manual involves safety and ZIMX HK5 kart care. Understanding and following this Information will help you and your ZIMX HK5 kart avoid injury or damage.

Section Two of this manual gives assembly and installation instructions for your ZIMX HK5 kart.

Section Three of this manual covers specific safety and operating instructions for your ZIMX HK5 kart. Even if you are an experienced rider, you should review this section before your first ride.

Section Four of this manual covers warranty specifications of your ZIMX HK5 kart.

ZIMX HK5 KART DIAGRAM

1. Seat
2. Handle Bars
3. Shock Absorbing Coils
4. Pedal Mounts
5. Hook and Loop Strap
6. Seat Frame
7. Adjustment knob
8. Frame Extension
9. Caster Wheel

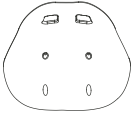
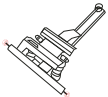
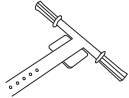














SPECIFICATIONS

Compatibility:
Max Load:
Max Speed:
Tire Size:
Seat Material:

Most self-balancing electric scooters upto 10" wheels
See max load of your self-balancing scooter
See max speed of your self-balancing scooter
6" swivel caster
PP

PARTS LIST

	(1) Seat
	(1) Seat Frame
	(1) Frame Extension
	(1) Right Handle Bar
	(1) Left Handle Bar
	(1) Caster & Wheel
	(2) Hook and Loop Straps

	(2) Small Foam Pads
	(1) Wrench / Spanner
	(1) Allen Wrench Set
	(2) Locking Nuts M10 (2) Washers M10
	(4) Bolts/Hex Screws M6
	(4) Locking Nuts M6 (4) Washers M6
	(4) Rubber Pedal Mount Ends
	(1) Adjustment Knob

NOTE - Some of the parts have been added to the product to reduce the steps required for assembly and reduce installation time.

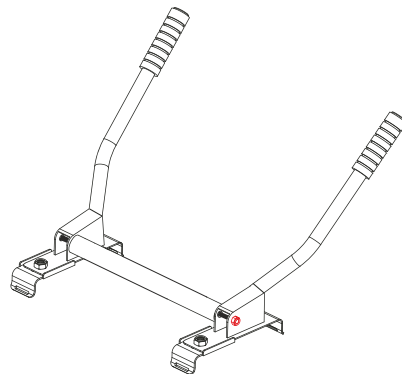
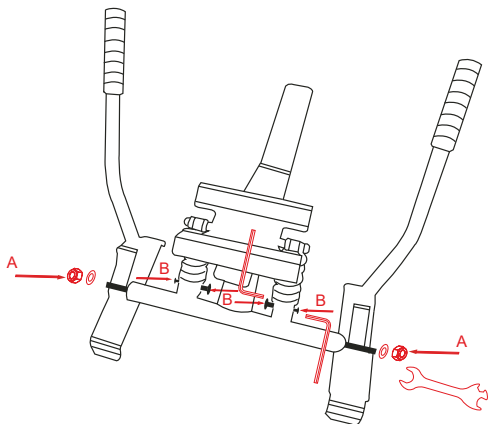
ASSEMBLING YOUR ZIMX HK5 KART

If you have questions or concerns about any of these steps, please feel free to contact our Customer Service Team at www.ukbigbuy.com or www.zimx.uk Someone will be in touch to guide you through these steps.

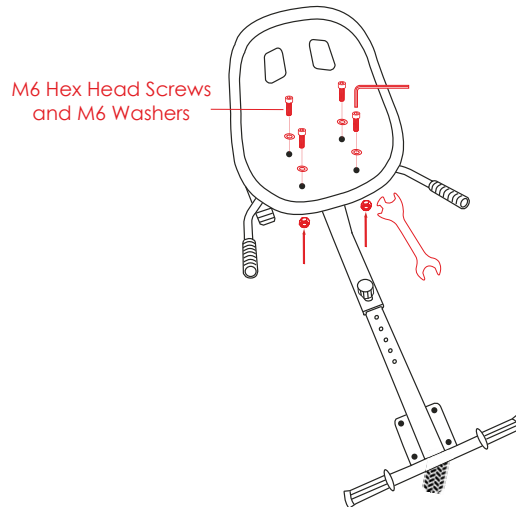
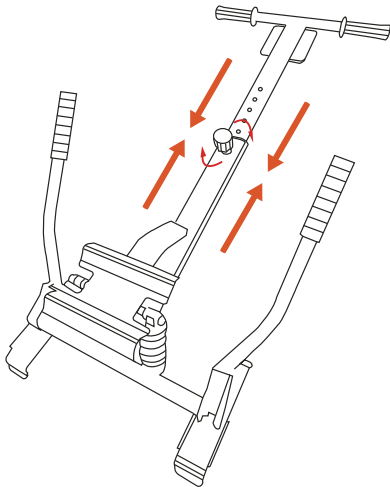
Carefully follow the steps shown on the following pages for assembling the ZIMX HK5 kart.

Remove all ZIMX HK5 kart contents from the box. Ensure all contents from the "Parts List" section are accounted for, (some items are may already be attached, such as the castor + wheel and lockers).

- Install the handles on the frame on both sides with the washer & nuts already on the frame and tighten with included wrench / spanner, see **A** below.
- Then Insert and install the rear suspension with screws already included within the suspension and tighten with allen wrench set, see **B** below.



- Loosen the adjustment knob from the back frame and then insert the front frame into the back frame connection hole to connect front frame and rear frames together. Then tighten the adjustment knob as per the desired length of the frame required.
- Install the seat on the frame with M6 hex head screws/bolts (x4), M6 washers and M6 locking nuts, then use allen wrench key and spanner to tighten securely.
- The front wheel caster and wheel are already pre-installed to the front frame.



INSTALLING YOUR ZIMX HK5 KART

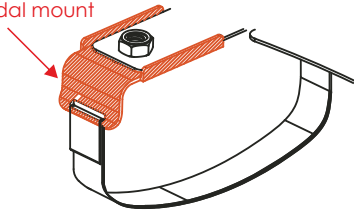
If you have questions or concerns about any of these steps, please feel free to contact our Customer Service Team at www.ukbigbuy.com or www.zimx.uk Someone will be in touch to guide you through these steps.

Carefully follow the steps shown on the following pages for installing the ZIMX HK5 kart onto your electric scooter. Read the remainder of this manual before riding your ZIMX HK5 kart.

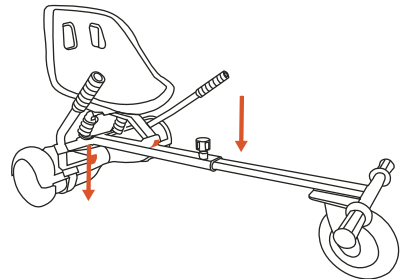
Your ZIMX HK8 kart should be completely assembled prior to installing it onto your electric scooter. Please refer to the "Assembling your ZIMX HK5 kart" section for assembling procedures.

- Place the ZIMX HK5 kart on your self-balancing scooter, and adjust the "adjustable metal brackets" to fit your scooter (if required) then fasten the nut tight, using the wrench/spanner provided.
- Place the pedal mounts onto the foot pedals of your self-balancing scooter with the front wheel facing forward. Ensure the pedal mounts are centered on the foot pedals of your scooter as much as possible.

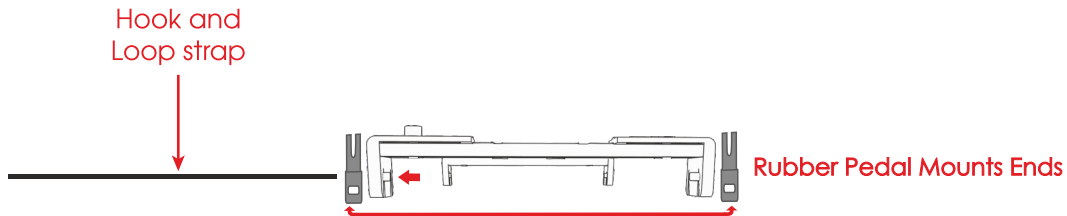
adjustable
pedal mount



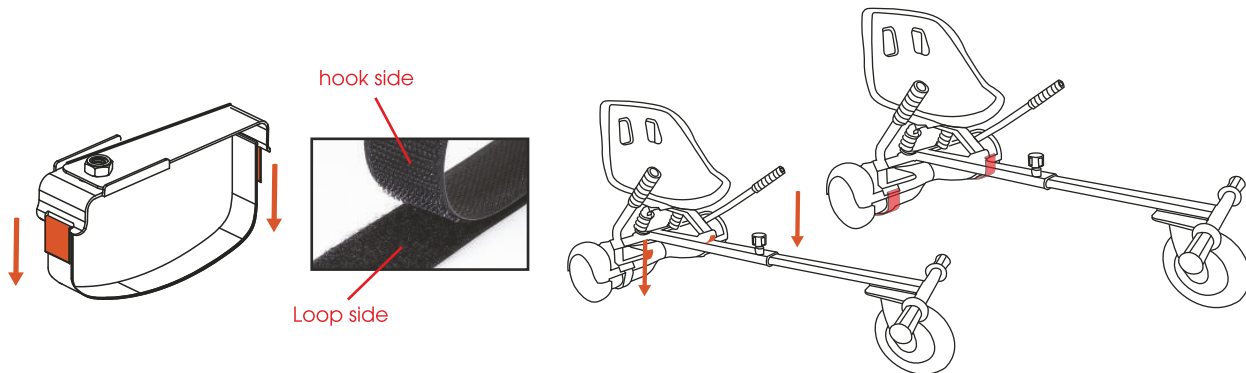
sensor locations of
self balancing scooter



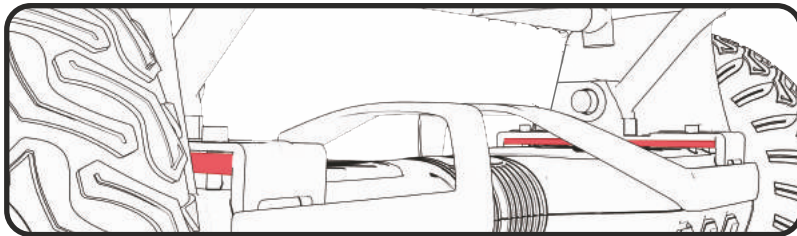
Slide on all the protective rubber pedal mount covers on each end of the pedal mounts. Then using the hook and loop straps, place the hook and loop side of strap downward and then pull each strap end through the holes on back of each pedal mount.



3. Wrap each hook and loop strap under your self-balancing scooter and pull the loose ends through the holes on front of each pedal mount. Make sure your scooter is secured by tightening and fastening the hook side to the loop side of each strap.



WARNING: Do not overtighten straps when you are assembling your HK5 KART to your scooter. Ensure that the HK5 KART is secure to the scooter when attaching. Ensure the foam pads are attached to the bottom of the pedal mounts so that the HK5 KART does not touch the footpad sensors on the scooter. See below diagram for correct fitting. The foam pads are to give extra pressure support to the pedal mounts.



5. Your ZIMX HK5 KART should be properly installed onto your scooter as shown below.



BEFORE RIDING

WARNING

Any scooter that does not work properly can cause you to lose control and fall. Inspect the entire device thoroughly before every ride, and do not ride it until any problems have been corrected.

ZIMX HK5 KART OPERATION

It is important that you fully understand all elements of your ZIMX HK5 kart. If these elements are not used correctly, you will not have full control of your ZIMX HK5 kart. Before you ride fast, or outside of a controlled environment, learn the functions of the various mechanisms on your ZIMX HK5 kart.

Practice using the elements of your ZIMX HK5 kart at slower speeds in flat, open area before taking the ZIMX HK5 kart to unfamiliar areas.

WARNING

Do not ride a ZIMX HK5 kart with a part that is damaged; replace the damaged part before riding.

PRE-RIDE ZIMX HK5 KART CHECKLIST

Ensure that your ZIMX HK5 kart and scooter are in proper working order each and every time you ride. If a part of the ZIMX HK5 kart does not function correctly, please contact our Customer Support Center.

- Ensure your castor and wheel is in perfect working order before riding it.
- Ensure the battery of your scooter is fully charged before riding your ZIMX HK5 kart.
- Ensure that all the screws and nuts on the ZIMX HK5 kart are locked firmly before each ride.
- Check to ensure the tyres of your scooter are not worn.
- Check to ensure all connections are maintained on your scooter.

WARNING:

To reduce the risk of injury, adult supervision is required. Never use in roadways, near motor vehicles, on or near steep inclines or steps, swimming pools or other bodies of water; always wear shoes, and never allow more than one rider.

SAFETY PRECAUTIONS

The 1st rule in safe riding is to use common sense. A ZIMX HK5 Kart is vulnerable; it cannot protect you in a crash, against impact, or loss of control the way driving a car can. A ZIMX HK5 Kart can tip over sideways or pitch you over the front wheel. It moves faster than a typical scooter. It does not have bumpers or airbags as a car does. This section is a guide of safe riding practices for operation. Make sure you are using your ZIMX HK5 Kart properly.

Different localities and countries have different laws governing riding in public places, and you should check with local laws to ensure you are complying with them.

ZIMX or UKBIGBUY is not liable for tickets or violations given to riders who do not follow these regulations.

- For your safety, always wear a helmet that meets CPSC or CE safety standards. In the event of an accident, a helmet can protect you from serious injury and in some cases, even death.
- Hover karts and Hover boards are not transportation vehicles.
- Do not use on public roads. Obey all local laws.
- If riding with friends and multiple ZIMX HK5 Karts, ride single in a straight line.
- Ride defensively; expect the unexpected.
- Do not ride too close to other riders and alert them if you intend to pass them from behind.

WARNING!!

It is illegal to ride electric scooters or self balancing scooters on public roads, pavements, or cycle paths. They are intended only for use on private land with the owner's permission.

- Avoid potholes, drainage grates or other hazards.
- Be careful when riding on soft road edges, gravel, sand and uneven surfaces. Ride slowly and avoid quick turns when riding on these surfaces.
- Never hitch onto other vehicles.
- Do not "stunt" ride or race on uneven surfaces.
- Do not weave in and out of traffic or swerve from side to side.
- A crash can put extraordinary stress on ZIMX HK5 Kart components, possibly causing them to fatigue prematurely. Components suffering from stress fatigue can fail suddenly, causing loss of control or serious injury.

CAUTION: RIDING IN WET WEATHER

Brakes do not work as well under wet conditions as they do when dry. It is recommended that you **do not** ride your ZIMX HK5 Kart in wet weather, as there are electronic components in your scooter that may be damaged if exposed to water.

1. This product is strictly forbidden to use on roads, pavements, cycle paths, motorways. You must wear a safety helmet, knee and elbow pads and other necessary protective gear when riding your ZIMX HK5 kart.
2. Due to the particularity of the product, the assembly pieces are to be checked before every ride to avoid an accident while riding.
3. Do not make a sharp turns as you may drift and overturn the ZIMX HK5 kart which can result in injury to yourself and/or damage the unit.

 **WARNING:**

To reduce the risk of injury, adult supervision is required. Never use in roadways, near motor vehicles, on or near steep inclines or steps, swimming pools or other bodies of water; always wear shoes, and never allow more than one rider.

RIDING YOUR ZIMX HK5 KART

Ensure your ZIMX HK5 Kart is fully assembled and correctly installed onto your scooter with all straps and screws and nuts secured in place. Ensure your scooter is properly maintained as well. Failure to do so may result in serious bodily harm or death and damage to the unit.

After reviewing the pre-ride checklist, follow the steps below to begin riding your ZIMX HK5 Kart.

1. Turn on your scooter.
2. Sit comfortably in the ZIMX HK5 Kart seat.
2. Place your feet onto the foot rests.
3. Firmly grip both handle bars and slowly push them downward simultaneously to move forward.
4. When riding, slowly pull both handle bars upwards simultaneously to brake.
5. To reverse, slowly pull both handle bars upwards simultaneously.
6. To turn left, push the right handle bar down while holding the left handle bar in neutral position.
7. To turn right, push the left handle bar down while holding the right handle bar in neutral position.

WARRANTY / CUSTOMER SERVICE

ZIMX Limited Warranty

The manufacturer warrants this product to be free of manufacturing defects for a period of 12 months from date of purchase. This Limited Warranty does not cover normal wear and tear, or any damage, failure or loss caused by improper assembly, maintenance, or storage.

This Limited Warranty will be void if the product is ever:

- used in a manner other than for recreation;
- modified in any way;
- rented.

The manufacturer is not liable for incidental or consequential loss or damage due directly or indirectly to the use of this product.

ZIMX does not offer an extended warranty. If you have purchased an extended warranty, it must be honoured by the store / website at which it was purchased from.

For your records, save your original sales receipt with this manual and write your order number and purchase date on it.

Customer Service Contact Information

Need Help? Visit our website(s) for product support, customer service information at;

www.ukbigbuy.com or www.zimx.uk

UNITED KINGDOM

New Age Group
T/A UKBIGBUY.COM & ZIMX.UK
B16 0HG, United Kingdom

Tel : +44 (0)121 454 7589
Email : info@ukbigbuy.com
Email : info@zimx.uk

Printed in China for UKBIGBUY.COM

Copyright 2010-2022 UKBIGBUY.COM All rights reserved. ZIMX, the ZIMX logo design, and X logo design are among the registered trademarks of NEW AGE GROUP in the United Kingdom and / or select foreign countries.

UK_220215BR

ZIMXTM
HOVERBOARDS
WITH ATTITUDE



www.ukbigbuy.com
www.zimx.uk



@ukbigbuy



@ukbigbuy



@ukbigbuy

UKBIGBUY.com

Saving you money every day